

INOX F70.0 ultrasonic washing tank

Suggested cleaning solvent

HTV4 DILUENT

CHARACTERISTICS:

HTV4 consists of a mixture of specific thinners for ultrasonic cleaning devices, it has been designed by Tosh for the cleaning all those parts which get in contact with the ink and need to be cleaned. Suitable also for the manual wash-up.

It has an excellent solvent power, able to remove inks even dried since long time. HTV4's low evaporation and emission in the atmosphere, allow it to be used for a long use before replacement.

HTV4 has a neutral odour and the high flash point allows the safe use up to 60 °C.

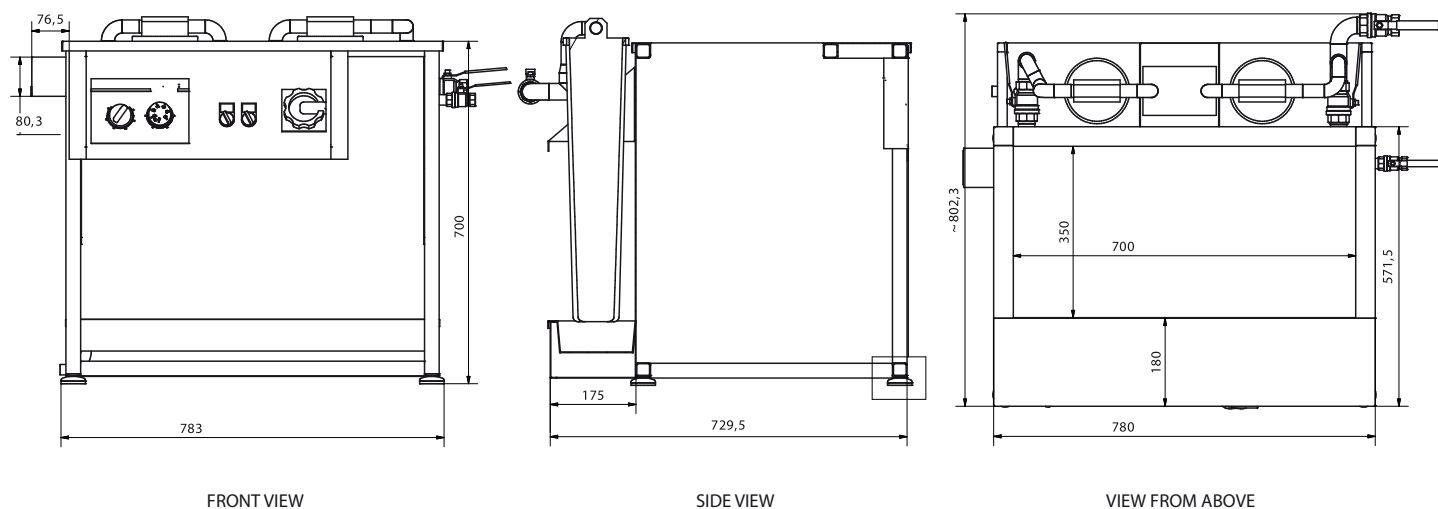
USE:

HTV4 is used in ultrasonic cleaning devices and manual washing tanks.



(conf. 25 lt)

Size



SPECIFICATIONS MAY BE SUBJECT TO CHANGE WITHOUT NOTICE

TOSH[®]

MACCHINE E SERVIZI
PER LA STAMPA SU OGGETTI



TOSH s.r.l. - Via Lambro 84, I - 20089 Quinto Starni (MI)
Tel. +39 02 57566.1 (10 linee r.a.) - Fax +39 02 89200266
E-mail: info@tosh.it www.tosh.it

GRAFICA TOSH - Printed 03/15

TOSH 

INOX F70.0

ultrasonic washing tank

It solves in a simple and economic way any cleaning problem in a pad printing department

The best solution for automatic cleaning

of all the parts of a pad printing machine which are in contact with the ink and that must be cleaned at every change of production. It is optimized for the needs in pad printing departments.

Thorough washing of most complex-shaped parts such as ink cups and ink trays thanks to the properties of penetration of ultrasound technology.

Dual filtration system to keep cleaned longer the specifically formulated cleaning solvent.



3Plus



Designed and manufactured in compliance with machines European Standard

INOX F70.0 ultrasonic washing tank**Characteristics**

- All stainless steel AISI 304.
- Built-in with high quality generators and transducers.
- Safety electrical insulation at high frequency.
- Homogeneous distribution of ultrasonic intensity.
- Timer and dual built-in thermostat for additional safety.
- Cleaning times extremely fast.
- No. 2 stainless steel baskets supplied, designed for practical and effective washing, capable of accommodating a large number of ink cups of various sizes.
- Drain cocks for the easy replacement of the cleaning solvent.
- Built with adequate insulation, provides a high level of soundproofing.
- Filtration unit with two levels of gradation activated independently by pneumatic pump.
- Control panel for all operating functions.
- Sensor for the cleaning solvent level.
- Fit for the connection in series with any solvent distiller in order to re-use the **product HTV4** spotlessly cleaned at every wash, considerably decreasing the needed quantity.- Automatic draining of the liquid by pneumatic pump.
- Excellent quality of cleaning thanks to the properties of penetration of ultrasound technology
- Extremely compact construction
- Optimized for the needs in a pad printing departments

Technical data

- | | |
|-----------------------------|---|
| - Operation: | Emission of sound waves into the washing liquid |
| - capacity: | about 70 lts |
| - ultrasound power: | 1000 W (max. peak) |
| - ultrasound frequency: | 21,5KHz |
| - Power of the resistances: | 1800 W – (2 x 900 W) |
| - Filtering pump: | for solvents, pneumatic operation 6 bar |
| - Temperature setting: | 0° – 40° with double thermostat |
| - Timer: | 0 – 60 min. |
| - Drain of the liquid: | through pneumatic pump |
| - Filtering unit: | two level of gradation |
| - Internal dimensions: | 700 x 400 x 350 (h)mm |
| - Size of the baskets: | no. 2 600 x 150 x 300 (h)mm |
| - Power supply: | 230 V – 50 Hz single phase |
| - Average consumption: | 2,9 Kw |
| - Weight: | about 100 Kgs |

INOX F70.0 ultrasonic washing tank**The baskets**

Specially designed to accommodate a large number of ink cups of various sizes, positioned in such a way as to ensure the highest and effective quality of washing.

**The ideal combination**

INOX F70.0 combined with the manual washing tank **INOX 65M2**, represents the best matching so to arrange for a complete and efficient working area dedicated to washing.



INOX 65M2



INOX F70.0